

# TRAIL STOMPER



RC4WD

WWW.RC4WD.COM

1855 Little Orchard St.

San Jose CA, 95125

E-mail: rcrock@rc4wd.com



1/10 Trail Stomper Ready to Run Truck



# TRAIL STOMPER

## Precautions



To Prevent Serious Personal injury and/or property damage, operate all remotely controlled models in a responsible manner as outlined below.



**Choose the right location to operate your remote control model.**

1. Do not run on public streets or highways.
2. Never operate your R/C near people or animals.
3. Do not operate in confined spaces.
4. Do not operate indoors.

**Inspect your R/C before operation.**

1. Make sure all screws and nuts are tightened properly. It is a good idea to use thread-locker on all metal to metal locations.
2. Make sure your transmitter batteries are fresh, or fully charged.
3. Always run a test of your transmitter and truck before setting on the ground.

**After operation of your R/C model**

1. Turn off receiver first, then turn off the transmitter.
2. Be careful handling your R/C batteries as they can be hot.
3. Keep your RC model clean and free of excess dirt and debris.
4. Perform regular maintenance to the drive line parts of your R/C model.

Check out



[www.rc4wd.com](http://www.rc4wd.com)  
for more new products.  
You can also find a line of  
shirts and beanies.

## Warranty Information

### RC4WD Limited Warranty

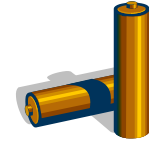
All RC4WD product is warranted to be free of defects in materials and workmanship when new. Our limited warranty does not cover damages due to normal wear and tear, user error of assembly or installation, user modifications, user's failure to perform routine maintenance, addition of aftermarket parts or option parts. This warranty lasts as long as the original purchaser owns the product. In the event of a defect under this warranty, RC4WD will, at our discretion, replace the product, provided our inspection indicates that an original defect exists. RC4WD reserves the right to replace any product which is no longer available with a product of comparable value and function. If RC4WD determines the repair is not covered under warranty guidelines, we will contact you to discuss your options.

If you have any questions, please contact us via email at [rcrock@rc4wd.com](mailto:rcrock@rc4wd.com)

## EQUIPMENT REQUIRED

### Batteries

8 AA Batteries for the Transmitter.



1 7.2 Volt Battery with Tamiya style plug for the truck, or Lipo Battery. Outcry ESC can handle up to 4 cell Lipo Battery.



### Other items

Spray paint for the body.



## EQUIPMENT RECOMMENDED

Hex wrenches  
1.5mm,2.0mm,  
2.5mm,3.0mm.



Lexan scissors



7mm nut driver

Side cutters



Modeling knife



Long needle nose  
pliers



Threadlocker  
(medium/blue)



## ESC INSTRUCTIONS

This is an instruction sheet for the new Outcry ESC (Electronic Speed Control). This will cover basic questions about the ESC and how it works. If you have further questions about it's the ESC. Please contact our support line, or use our forum.

The Outcry ESC is has a built in non-adjustable drag break. The ESC comes with a BEC (battery eliminator circuit). This allows you to get full power to the other electronics in your setup.

This ESC is a simple Plug and Play unit. Use the equipped plugs and install to your electronics. Make sure your radio is plugged in, plug the battery into the ESC, and turn on your ESC. This should program everything and then your ESC should be ready to use.

### 1. ESC Plugs and wires

In the photos below you can see the different wires coming from the Outcry ESC. We have used the dual motor ESC for these photos. The only difference between the single version and dual version are the extra two motor wires on the dual version.

A. In this photo you can see the ESC On/Off switch and the receiver throttle input plug. You will notice the red wire to the receiver throttle input plug has been removed and heat shrink applied. This is to allow the BEC to apply full power to the receiver and other electronics in your setup. It is very important to leave the shrink wrap on the red wire. (Removing the shrink wrap can cause damage to the ESC and your other electronics)  
The receiver plug will install into the throttle slot of your receiver. Please refer to your radio's owner manual for instructions on which slot to plug the throttle control plug into.



B. This photo shows the BEC and battery plugs. The ESC is equipped with a standard Tamiya plug. This should make it an easy plug and play for your battery connections. (changing the plug may void your warranty)  
The plug on your BEC is a standard receiver plug. This will plug into two different spots on your receiver. Either your Auxiliary, or Battery slots. Refer to the owner's manual that came with your radio for these slots.



C. The motor wires are shown in this photo. Again the dual motor ESC was used for this manual. The single motor ESC will only have the two motor wires. One black and one red. The dual motor has two black and two red.



We do not recommend removal of the fan from the ESC.

### 2. Receiver plug installation

We recommend you refer to your radios owner manual to help with this step.  
Plug the receiver throttle control plug in the throttle control slot of your receiver. Plug the BEC plug into your Auxiliary, or Battery control slot on you receiver.  
Make sure the red wire with the heat shrink is up and out of the way. This is not supposed to be plugged into the receiver.



RC4WD T-Stomper

## Warning Before Use

### Warning before use

An RC Model is not a toy. If misused, it can cause serious bodily harm and damage to property and people. Operate only in open areas, following all instructions included here.

This is a sophisticated hobby product and not a toy. It must be operated with caution and common sense and requires some basic mechanical ability. Failure to operate this product in a safe and responsible manner could result in injury or damage to the product or people and other property. This product was not designed for use by children without close adult supervision. Please make sure to read over all safety warnings before operating this product.

### Damage Limits

RC4WD shall not be liable for special indirect or consequential damages, loss of profits or production or commercial loss in any way connected with the product, whether such claim is based in contract, warranty, negligence, or strict liability. Further, in no event shall the liability of RC4WD exceed the individual price of the product on which liability is asserted. As RC4WD has no control over use, setup, final assembly, modification, or misuse, no liability shall be assumed nor accepted for any resulting damage or injury. By the act of use, setup or assembly, the user accepts all resulting liability.

If you as the purchaser or user of this product are not prepared to accept liability associated with this product, you are advised to return this product immediate in new unused condition to the place of purchase.

### Warnings, Precautions and Safety

As a user of the product, you are solely responsible for operation it in a manner that does not endanger yourself and others or result in damage to the product or the property of others.

Carefully follow the directions and warnings for this and any optional support equipment (chargers, batteries, and battery packs, etc) that you use.

This model is controlled by a radio signal that is subject to interference from many sources outside your control. This interference can cause momentary loss of control so it is necessary to always keep a safe distance in all directions around your model, as this margin will help to avoid collisions or injury.

- Always operate your model in an open area away from cars, traffic, and people.
- Avoid operation your model in the street.
- Never operate your model in populated areas.
- Never operate your model with low transmitter or receiver batteries.
- Keep this and all electrical items out of reach of children
- Avoid water exposure to all electrical equipment. This product was not designed and protected from this purpose

RC4WD T-Stomper

**Stock Replacement parts**

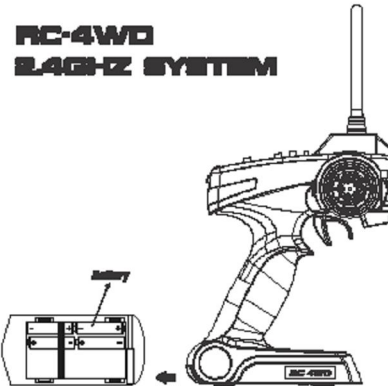
X-0496	Front and Rear Axle set (plastic)
Z-B0006	Yota Body set
Z-S0022	Steering kit
X-0427	Plastic axle parts
X-0093	Rear straight axle shafts (pair)
X-0273	Heavy duty front shafts (pair)
X-0409	Servo and 4 link mount
Z-S0200	Heavy duty spool for axle
X-0364	Lower 4 link/shock mounts
Z-W0036	Stamped Steel Black beadlock wheels (4)
X-0251	Scale 90mm white shocks (2)
Z-C0007	Chassis
X-0195	R2 single speed transmission
X-0329	Replacement gears for R2
X-0319	8 tooth 32 pitch pinion
X-0324	Front Punisher Shaft
X-0252	Rear Punisher Shaft
Z-T0006	1.55 Mud Slinger tires (2)
Z-R0007	XR2 Radio and receiver
Z-R0005	XR2 receiver
Z-E0007	Outcry ESC (w/bec)
Z-S0076	BEC for ESC
Z-E0012	Mayhem High Torque servo
X-0212	M3 Conical washers
X-0392	Velcro hold down straps (5)
X-0337	RC4WD Sticker sheet
Z-E0004	45 turn motor
Z-S0073	Plastic M3 Rod end
X-0274	Bevel Shaft

**Optional Replacement parts**

X-0055	Chrome diff cover	Z-E0003	55 turn motor
X-0403	Black shock boot	Z-E0002	65 turn motor
X-0402	Blue shock boot	X-0408	Dual Spring shocks
X-0075	Green shock boot	X-0358	Black R2 2 Speed
X-0401	Yellow shock boot	X-0361	Black R2 Dig
X-0211	6 tooth pinion	X-0493	Enclosed R2 Dig
X-0318	7 tooth pinion	X-0052	R2 Dual Dig
X-0320	9 tooth pinion	X-0068	Short shaft for R2
X-0008	11 tooth pinion	X-0393	Heavy duty R2 gears
X-0009	12 tooth pinion		
X-0113	13 tooth pinion		
X-0115	20 tooth pinion		
X-0317	Monster lube		
Z-E0005	35 turn motor		

Visit our website for many wheel and tire options for your T-Stomper

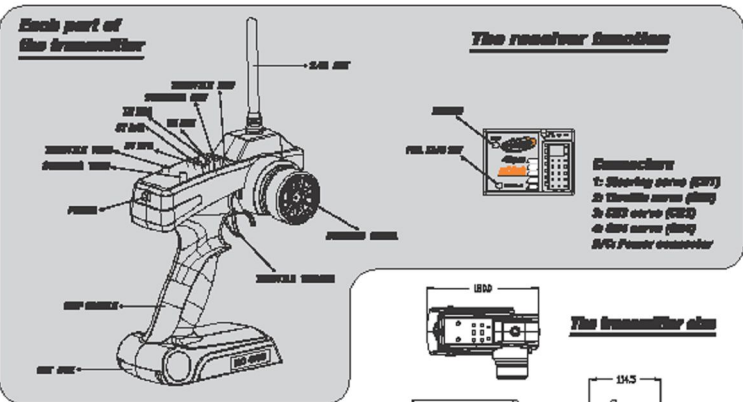
**INSTRUCTION MANUAL**



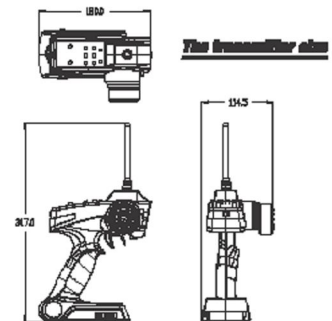
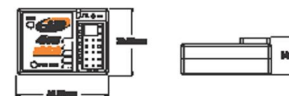
**Install the batteries**

- (1) Remove the battery compartment cover.
- (2) Replace the used batteries with new AA size batteries.

Please replace batteries when the power indicator blinks or the buzzer beeps.



**The receiver also**





# XR2 RADIO INSTRUCTIONS

## Transmitter Adjustment

### A. Throttle Trigger



1. Push the trigger forward to slow down or brake.
2. Pull the trigger backward to accelerate.

### B. Steering Wheel



Turn the steering wheel to the left or right to let the vehicle turn left or right

**Keep the transmitter and receiver clear apart when operating.**

## LINKS

### Binding the transmitter and receiver

1. Turn on the receiver power. Press the SW switch. The receiver's LED should start flashing.
2. Turn on the transmitter.
3. When the LED on the receiver becomes solid, the binding process is completed.

### Low battery alarm

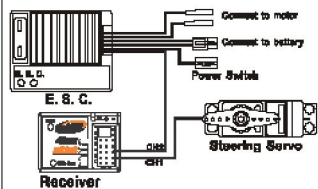
Do not operate the radio system when the battery power is low.

### Full Scale Function Setting

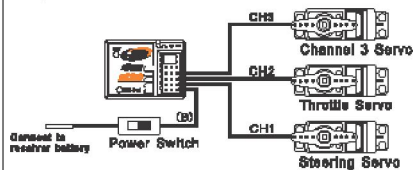
1. Set the TH, ST switches to the normal position.
2. Turn on the transmitter and receiver.
3. Press the FN SET button, the LED on the receiver should start flashing rapidly.
4. Pull the throttle trigger at the brake position, press the FN SET button, the LED should increase solid.
5. For electric model, pull the throttle trigger at the stop position when you are making the setting.

### Receiver and servo connection

#### Electrical powered model



#### Gas powered model



RC4WD T-Stomper

# Optional Parts



Z-A0045  
Aluminum (F) axle complete



Z-A0046  
Aluminum (R) axle complete



Z-S0012  
Hardcore diff cover



Z-S0009  
Rok Trac Diff cover



Z-S0220  
ARB Diff cover



X-0487  
Reinforced Axle C



Z-S0092  
XVD axle



X-0429  
Aluminum Knuckles



X-0399  
Red Scale shock boots



Z-W0045  
1.55 Void Beadlock Wheels

RC4WD T-Stomper