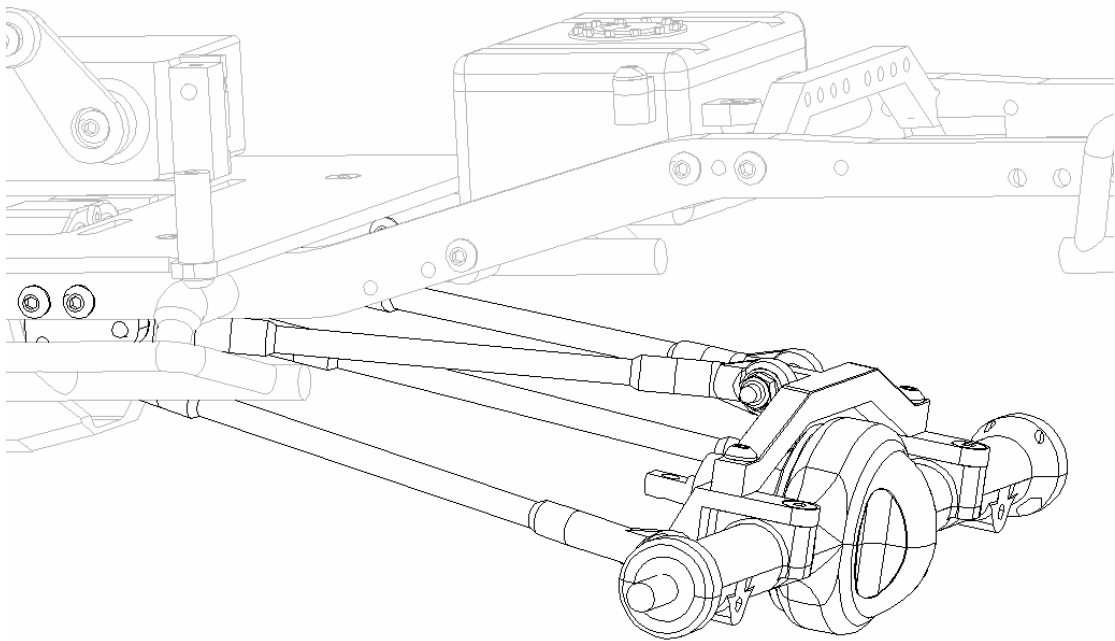




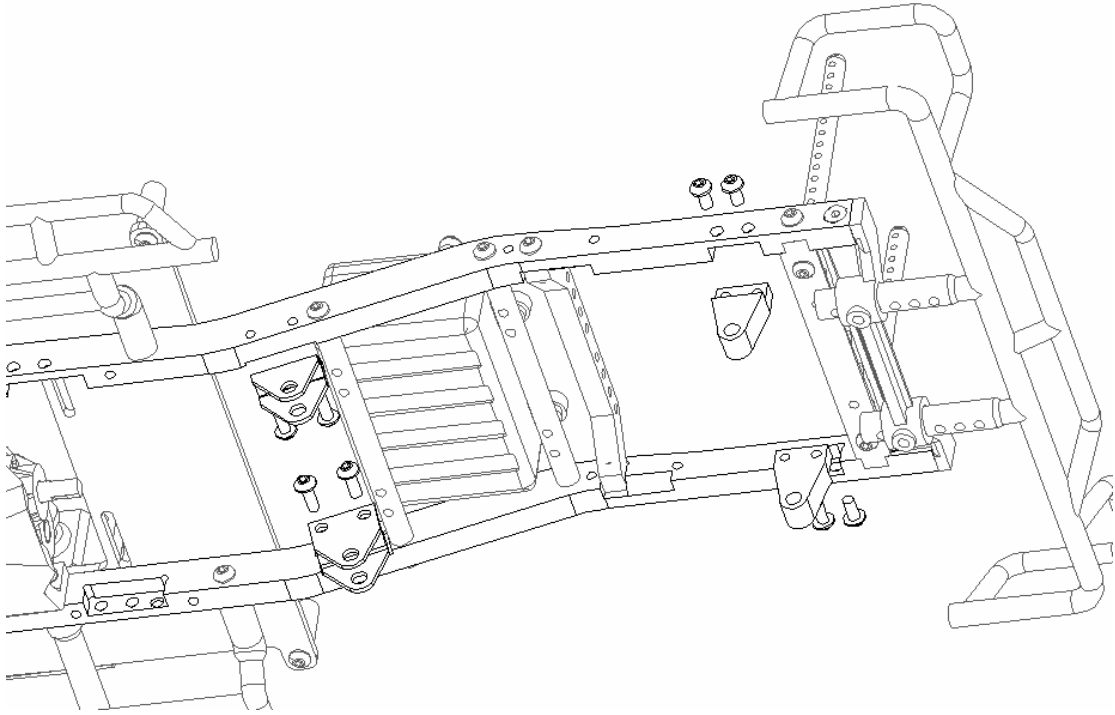
TRAIL FINDER 2

REAR 4 LINK KIT

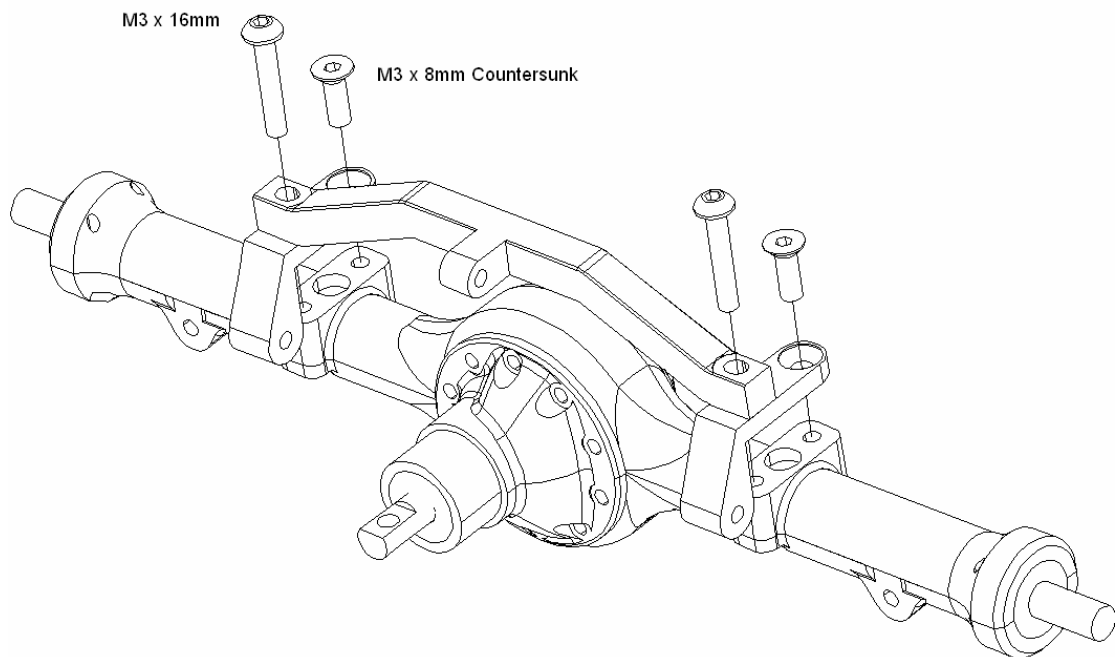


1

Remove rear axle and leaf spring mounting hardware



2



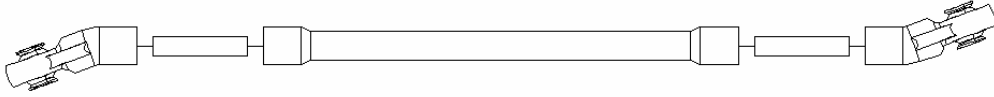
3

Make 2 of each

81mm link

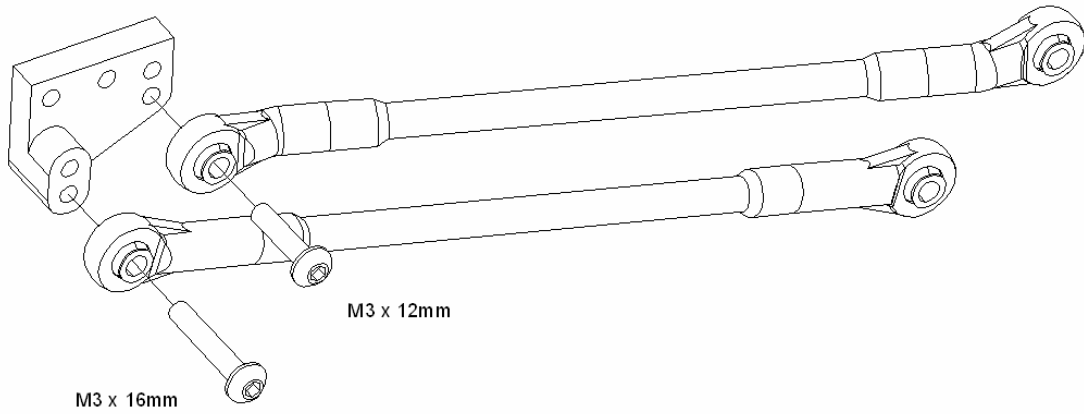


75mm link

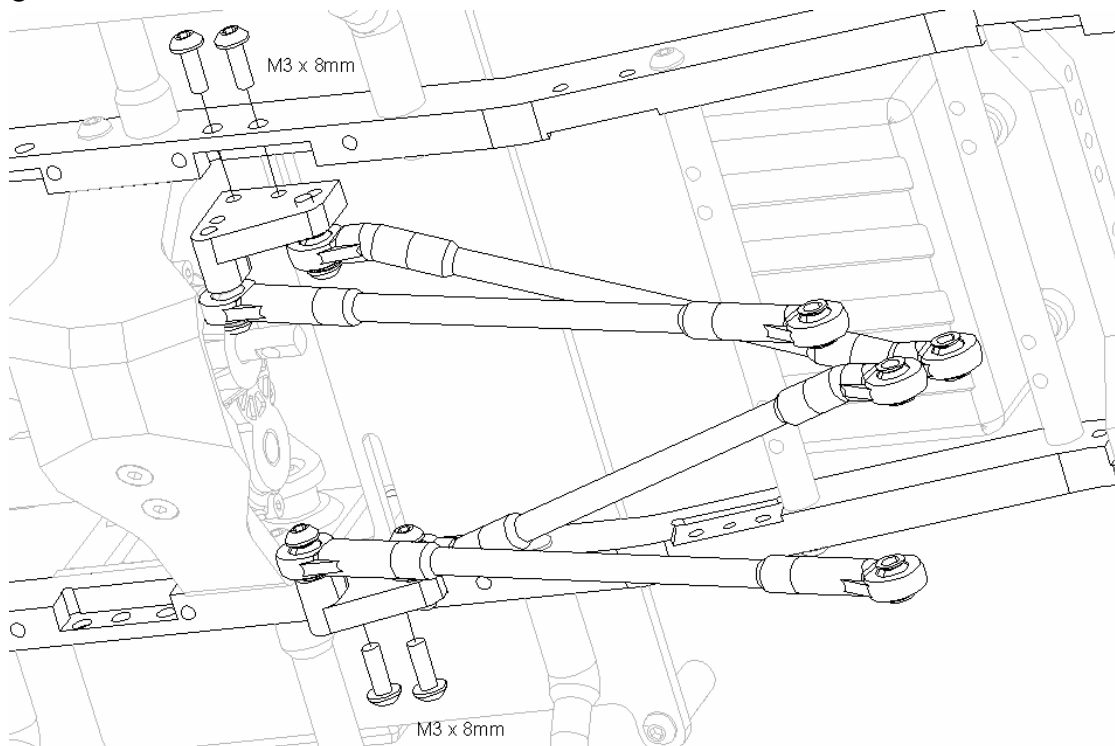


4

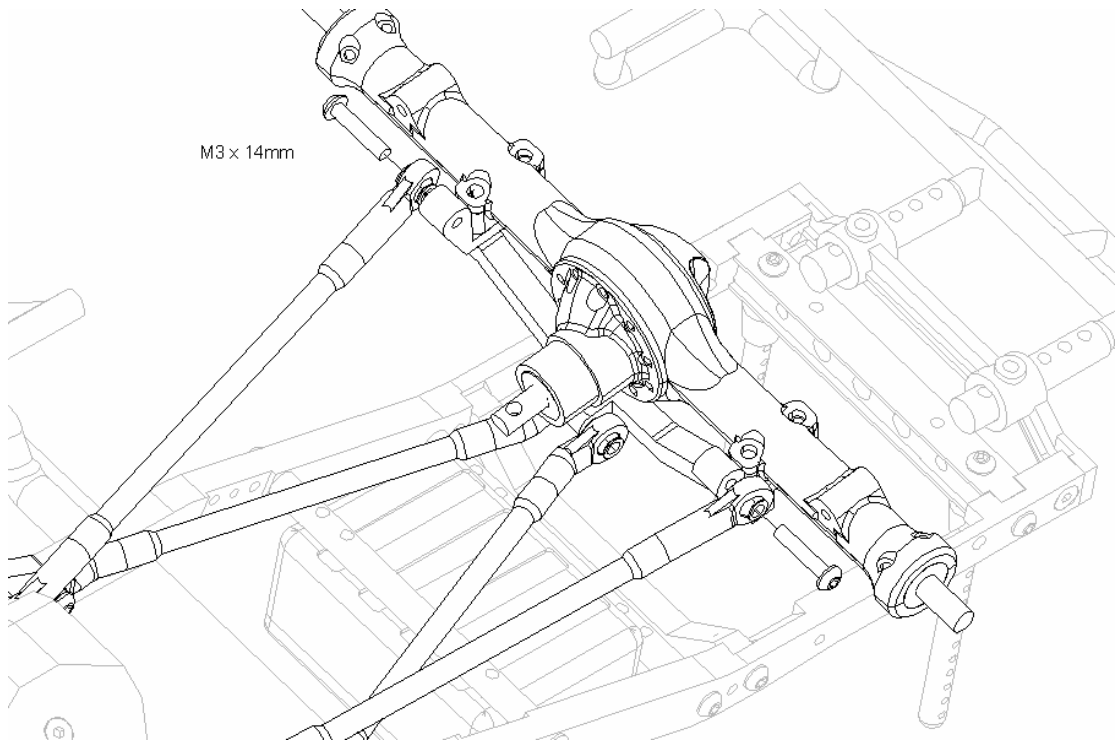
Make for both sides of the chassis



5



6



7

