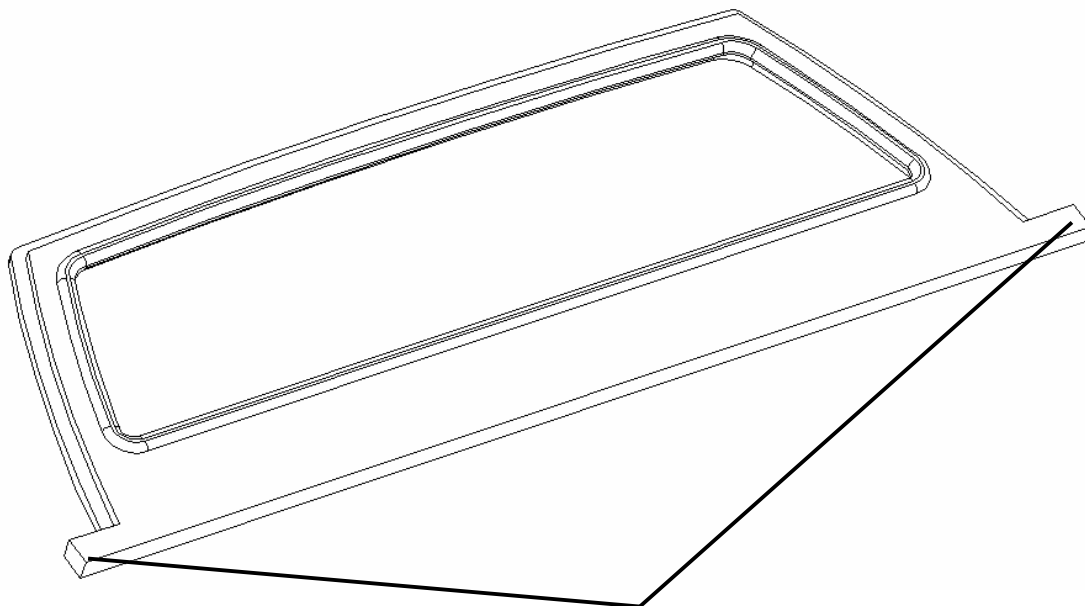


PLEASE NOTE



These tabs need to be trimmed approximately 1.5mm at each end before fitting to the front cab.